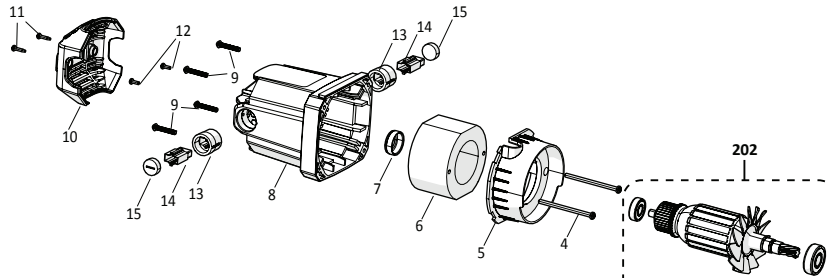
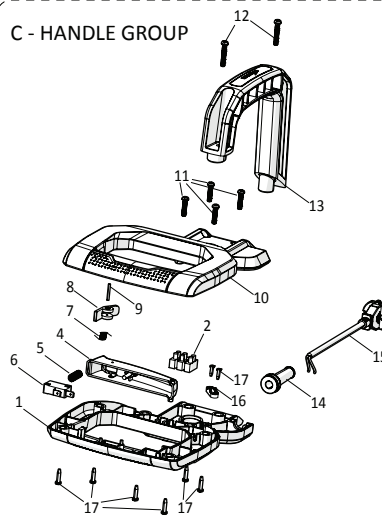


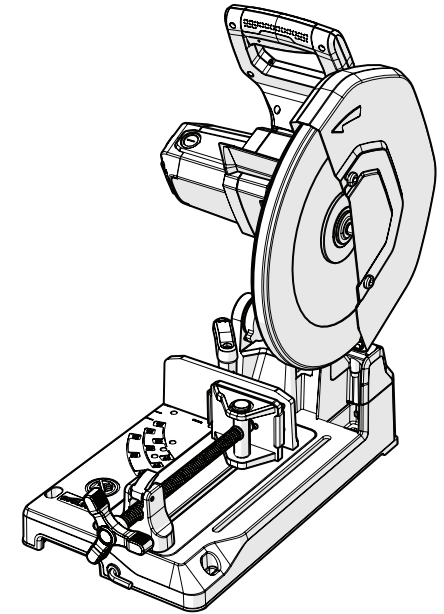
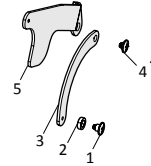
D - MOTOR GROUP



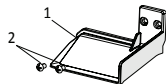
C - HANDLE GROUP



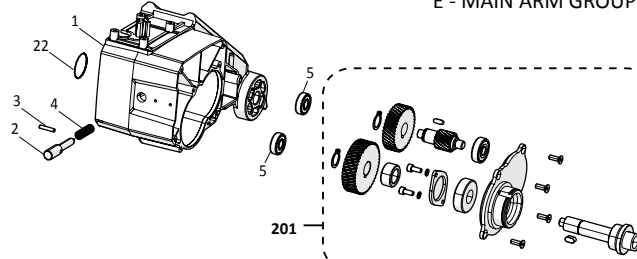
B - LINKAGE GROUP



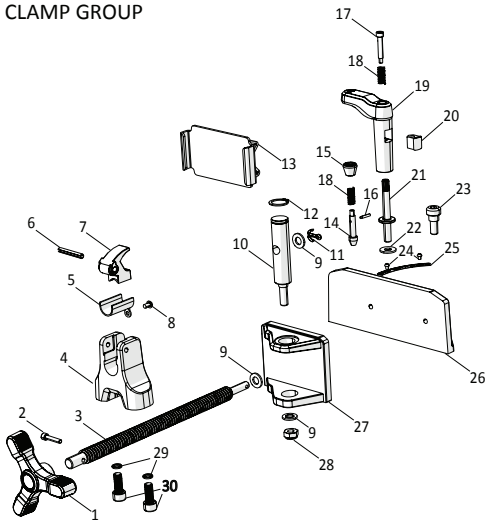
H - CHIP GUARD



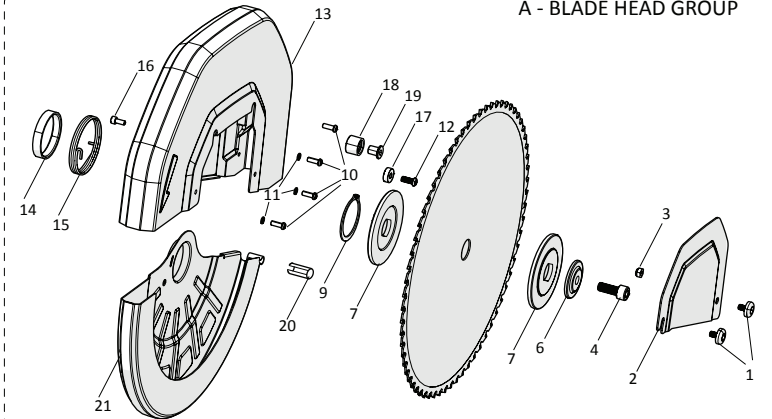
E - MAIN ARM GROUP



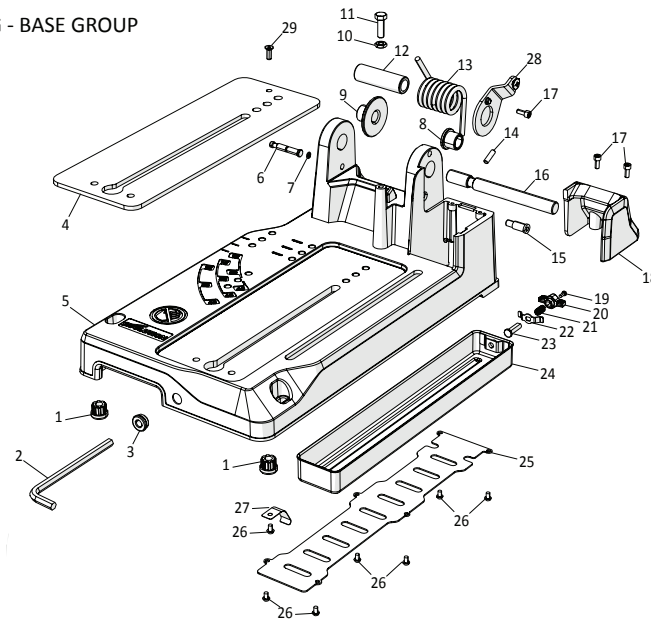
F - CLAMP GROUP



A - BLADE HEAD GROUP



G - BASE GROUP



S380
CPS

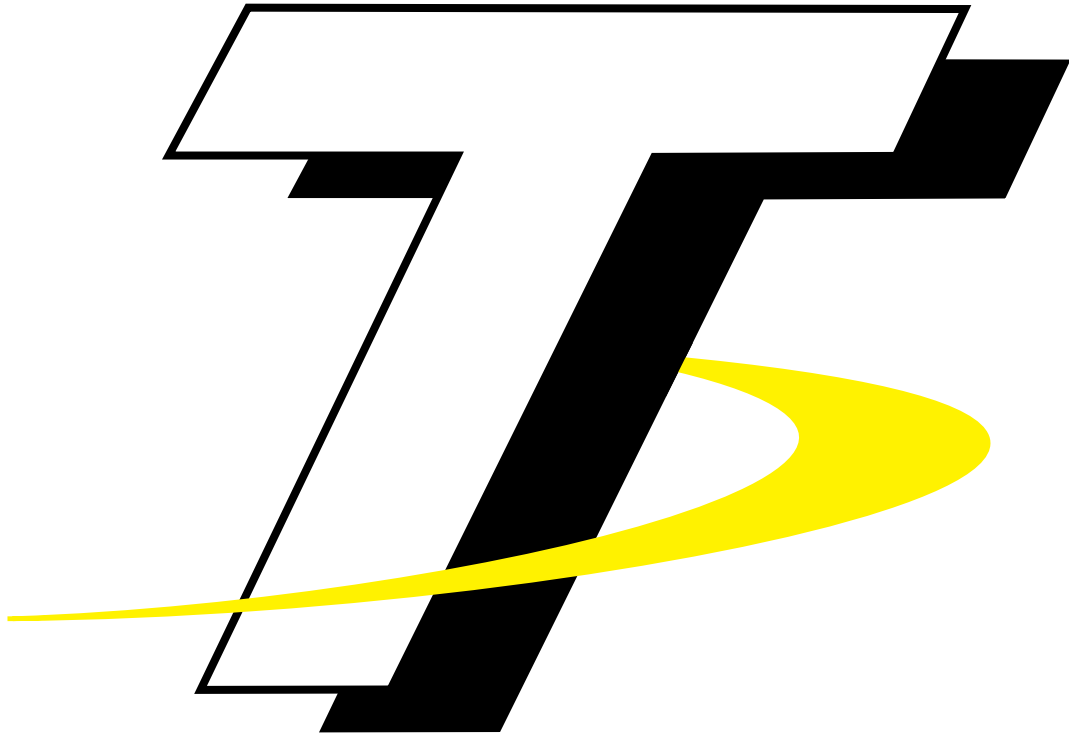
evolution[®]
evolutionpowertools.com

Service Parts List	V: 084-0004.01	120V US
14 Inch Metal Cutting Chop Saw		

Distributed by: **Trick-Tools.com**

Trick-Tools
75 Truman Road
Pella, IA 50219

Phone:1-877-VAN-SANT
E-mail: sales@trick-tools.com



Here at Trick Tools we believe that our customers deserve the best value in their tool and equipment purchases. We are constantly at work searching out a variety of high quality, high performance tools to offer at the best prices possible. Our commitment to you is that we will not offer “cheap junk” anywhere on our website. You, the customer, help us to evaluate our products constantly and as soon as an ongoing quality issue is uncovered we will correct it or discontinue that product immediately. We hope to earn your continued trust.

No.	Description	Part Code	Qty
A01	Arbour Cover Screw	083-0101	2
A02	Arbour Cover	083-0102	1
A03	Locking Nut M6	F-NSH-M6-ST-BO	1
A04	Socket Cap Screw M10x25	F-SHCS-M10-25-ST-BO	1
A06	Blade Washer	083-0103	1
A07	Flange 100	084-0101	2
A09	Circlip φ48	F-CCEXT-48-120-ST-BO	1
A10	Pozi Pan Head Screw M5x14	F-SPHPZ-M5-14-ST-BO	4
A11	Spring Washer φ5	F-SWA-M5-ST-BO	3
A12	Pozi Pan Head Screw M6x12	F-SPHPZ-M6-12-ST-BO	1
A13	Blade Head Assembly 380	084-0102	1
A14	Moving Guard Spring Spacer 380	084-0103	1
A15	Moving Guard Spring	083-0107	1
A16	Socket Cap Screw M5x12	F-SHCS-M5-12-ST-BO	1
A17	Ball Bearing 606	F-B-606-2Z	1
A18	Bump Stop	083-0108	1
A19	Bump Stop Fixing	083-0109	1
A20	Slider Cap	083-0110	1
A21	Moving Guard Assembly 380	084-0105	1
B01	Linkage Shoulder Screw Upper	083-0115	1
B02	Screw Spacer	083-0116	1
B03	Small Linkage	083-0117	1
B04	Linkage Shoulder Screw Middle	083-0118	2
B05	Main Linkage	083-0119	1
C01	Main Handle Lower	083-0121	1
C02	Terminal Block	083-0122	1
C04	Main Trigger Blue	084-0106	1
C05	Main Trigger Spring	083-0126	1
C06	Switch	083-0127	1
C07	Trigger Lock Spring	083-0128	1
C08	Lock Trigger	083-0129	1
C09	Trigger Lock Pin	083-0130	1
C10	Main Handle Upper	083-0131	1
C11	Pozi Pan Head Screw M5x30 w/ Washer	F-SPHPZ-M5-30-ST-BO	4
C12	Pozi Pan Head Screw M5x30 w/ Washer	F-SPHPZ-M5-30-ST-BO	2
C13	Carry Handle	083-0132	1
C14	Cable Sleeve Large	083-0134	1
C15	Cable US 120V/R10f	084-0110	1
C16	Cable Strain Clamp	083-0140	1
C17	Pozi Pan Head Tapping Screw ST4x16	F-TFPX-4-16-ST-BO	8
D04	Pozi Pan Head Tapping Screw ST5x80	F-TFPX-5-80-ST-BO	2
D05	Air Baffle 65	084-0125	1
D06	Stator 65/110-120V 1800W/15A	084-0126	1
D07	Ball Bearing Cap	053-0270	1
D08	Motor Housing	083-0150	1
D09	Pozi Pan Head Screw M5x30 w/ Washer	F-SPHPZ-M5-30-ST-BO	4
D10	End Cap Blue	084-0131	1
D11	Pozi Pan Head Tapping Screw ST4x16	F-TFPX-4-16-ST-BO	2
D12	Pozi Pan Head Screw M4x10	F-SPHPZ-M4-10-ST-BO	2
D13	Brush Holder	083-0152	2
D14	Carbon Brush 110-120V	083-0154	2
D15	Brush Holder Cover	083-0155	2
D202	Armature 65 Assembly 110-120V UK/USA	084-0050	1

No.	Description	Part Code	Qty
E01	Arm	083-0160	1
E02	Arbour Locking Pin	083-0161	1
E03	Roller Pin 4x20	F-SDL-4-20-ST-BO	1
E04	Locking Pin Spring	083-0162	1
E05	Ball Bearing 6000 YQ	F-B-6000-2Z	2
E22	Rubber Bearing Ring	083-0196	1
E201	Gearbox Assembly (S355/380)	084-0055	1
F01	Clamp Bar Handle Blue	084-0132	1
F02	Pozi Pan Head Screw M5x25	F-SPHPZ-M5-25-ST-BO	1
F03	Clamp Bar - 20mm/Trapezoid	084-0133	1
F04	Clamp Bar Support - QR	084-0134	1
F05	Clamp Bar Wear Plate	084-0135	1
F06	Quick Release Vice Roller Pin	F-SDL-6-40-ST-BO	1
F07	Quick Release Vice	084-0137	1
F08	Pozi Pan Head Screw M5x8	F-SPHPZ-M5-8-ST-BO	1
F09	Washer φ10xφ20x2	F-W-M10-ST-BO	3
F10	Moving Vice Spindle - QR	084-0138	1
F11	Split Pin 3x25	083-0176	1
F12	Circlip φ22	F-CCEXT-22-120-ST-BO	1
F13	V-Vice Assembly - Steel	084-0139	1
F14	45° Locking Pin	084-0140	1
F15	45° Locking Knob	084-0141	1
F16	Roller Pin 3.2x18	F-SDL-3-18-ST-BO	1
F17	Quick Release Lever Shaft Screw	084-0142	1
F18	Locking Pin Spring	084-0143	2
F19	Quick Release Lever Blue	084-0144	1
F20	Quick Release Lever Shaft Insert	084-0145	1
F21	Quick Release Lever Shaft	084-0146	1
F22	Quick Release Lever Shaft Washer	084-0147	1
F23	Socket Cap Shoulder Screw	084-0148	1
F24	Pozi Pan Head Screw M4x5	F-SPHPZ-M4-5-ST-BO	2
F25	Fence Scale	084-0149	1
F26	Fence - Cast	084-0150	1
F27	Moving Vice Jaw - Cast	084-0151	1
F28	Locking Nut M10	F-NNIF-M10-ST-BO	1
F29	Spring Washer φ8	F-SWA-M8-ST-BO	2
F30	Socket Cap Screw M8x25	F-SHCS-M8-25-ST-BO	2
G01	Rubber Foot 084	084-0152	4
G02	Allen Key S=8	F-HEXKEY-M6-ST-BO	1
G03	Rubber Grommet	083-0185	1
G04	Base - Wear Plate	084-0154	1
G05	Base	084-0153	1
G06	Head Lock-Down Pin 084	084-0155	1
G07	O Ring 4.5x1.8	083-0188	1
G08	Arm Shaft Spacer Small	084-0156	1
G09	Arm Shaft Spacer Big	084-0157	1
G10	Hex Nut M8	F-NSF-M8-ST-BO	1
G11	Hex Screw M8x25	F-HSS-M8-ST-BO	1
G12	Main Torsion Spring Spacer	083-0190	1
G13	Main Torsion Spring 084	084-0158	1
G14	Hex Socket Set Screw M6X20	F-SSCFP-M6-20-ST-BO	1
G15	Stop Pin	084-0159	1
G16	Arm Pivot Shaft 084	084-0160	1
G17	Socket Cap Screw M5x12	F-SHCS-M5-12-ST-BO	2
G18	Chip Deflector - Cast	084-0161	1
G19	Pozi Pan Head Screw M4x10	F-SPHPZ-M4-10-ST-BO	1
G20	Chip Tray Locking Knob	084-0162	1
G21	Chip Tray Spring	084-0163	1
G22	Locking Plate	084-0164	1
G23	Chip Tray Locking Screw	084-0165	1
G24	Chip Tray Assembly	084-0166	1

No.	Description	Part Code	Qty
G25	Chip Tray Plate	084-0167	1
G26	Pozi Pan Head Screw M5x8	F-SPHPZ-M5-8-ST-BO	7
G27	Chip Tray Spring Plate	084-0168	1
G28	Main Linkage Bracket	084-0169	1
G29	Socket Cap Countersunk Screw M5x15	F-SCHPZ-M5-15-ST-BO	1
H01	Chip Guard	084-0170	1
H02	Pozi Pan Head Screw M5x8	F-SPHPZ-M5-8-ST-BO	2
H02	Pozi Pan Head Screw M5x8	F-SPHPZ-M5-8-ST-BO	2



Service Parts List	V: 084-0004.01	120V US
14 Inch Metal Cutting Chop Saw		